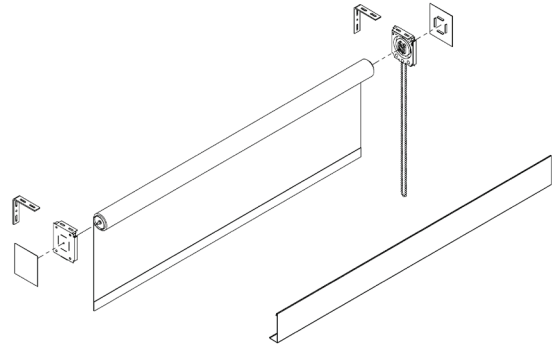


DRAPER FLEXSHADE XD Manual Roller Blind System

Features and Benefits

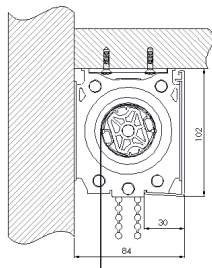
- ▶ Steel mounting bracket with heavy duty integrated XD clutch, for exceptionally quiet and smooth operation
- ▶ Clutch available in white (standard) or black
- ▶ Stainless steel bead chain
- ▶ Low maintenance
- ▶ Optional spring Lift Assist is available for ease of operation
- ▶ Dual roller version available for blackout and sheer fabrics (see separate data sheet)
- ▶ Multiple hardware options including brackets (standard), fascia with end caps and headbox and closure.



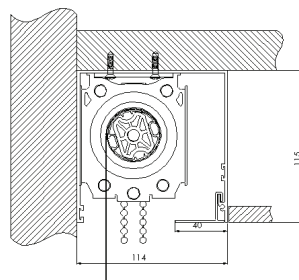
Fixing Brackets - Small (max width 2450mm, max drop 3600mm*)

*Dependant on fabric type – check with Waverley Technical Dept – technical@waverley.co.uk

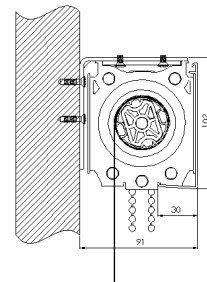
Below Ceiling with Fascia



Above Ceiling in Pocket



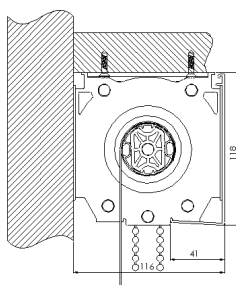
Wall Fix with Fascia



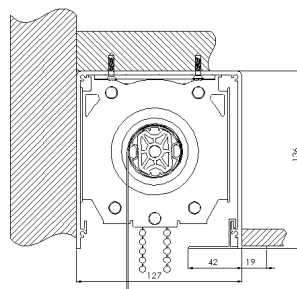
Fixing Brackets - Large (max width 3650mm, max drop 3650mm*)

*Dependant on fabric type – check with Waverley Technical Dept – technical@waverley.co.uk

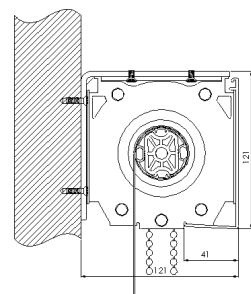
Below Ceiling with Fascia



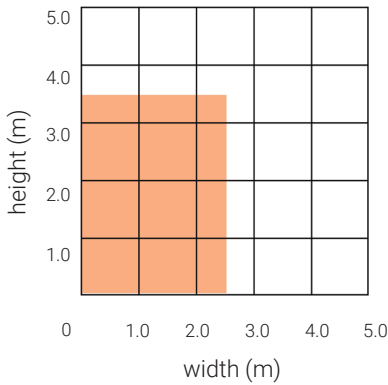
Above Ceiling in Pocket



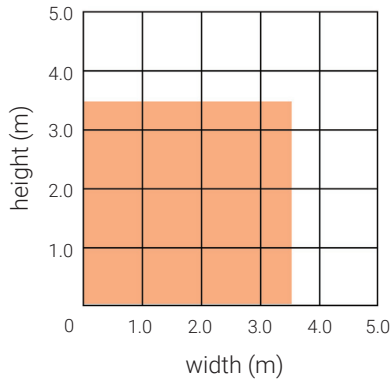
Wall Fix with Fascia



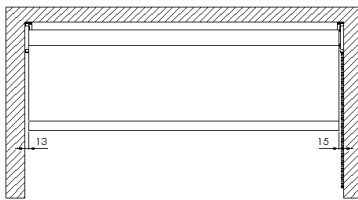
Size parameters - Small



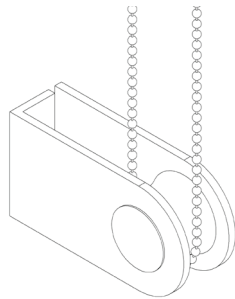
Size parameters - Large



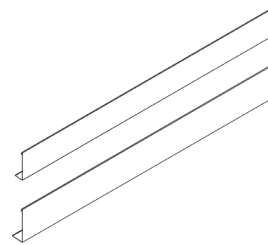
Light gaps



Chain retainer

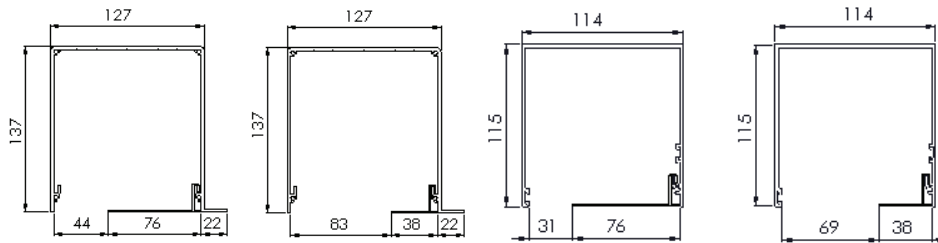


Fascia



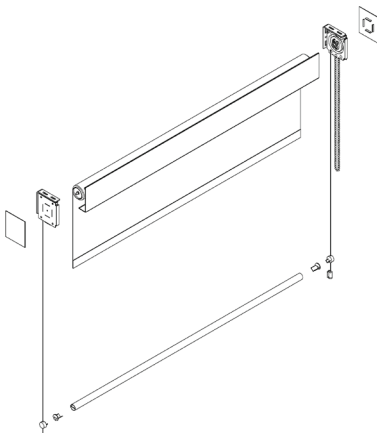
- ▶ Extruded aluminium fascia available for Small and Large systems
- ▶ Snaps onto brackets without any exposed fasteners
- ▶ No notching of fascia required
- ▶ White powdercoat finish as standard, other RAL colours on request

Ceiling Pocket

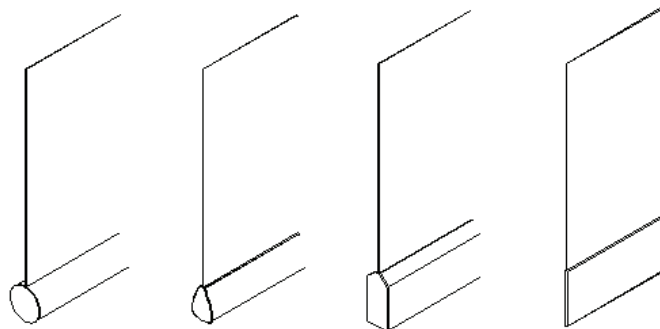


- ▶ Extruded aluminium ceiling pocket for perimeter installations, available for Small and Large systems
- ▶ Complete with tile support lip and closure plate
- ▶ White powdercoat finish as standard, other RAL colours on request

Guide wires



Bottom Bar Options



Round

Teardrop

Rectangular

Fabric Enclosed



Fabric Choice

The entire ShadeTech® fabric range is suitable for use with Draper Flexshade XD roller blinds.

Alternatively, they can be manufactured using the fabric selected by the specifier or client.

Maintenance

Draper Flexshade XD roller blinds are made from high quality materials.

Cleaning regime depends upon fabric specified. Most can be wiped clean with a damp cloth.

Quality and Guarantee

Draper warrants to the End User that its products are free from defects in material and workmanship for the period of **25 years** for the mounting hardware, clutch & fascia and 10 years for spring assist mechanism.

Contact us on sales@waverley.co.uk or 01252 737973 for assistance with your specification.
Specification wording can be downloaded from our website www.waverley.co.uk