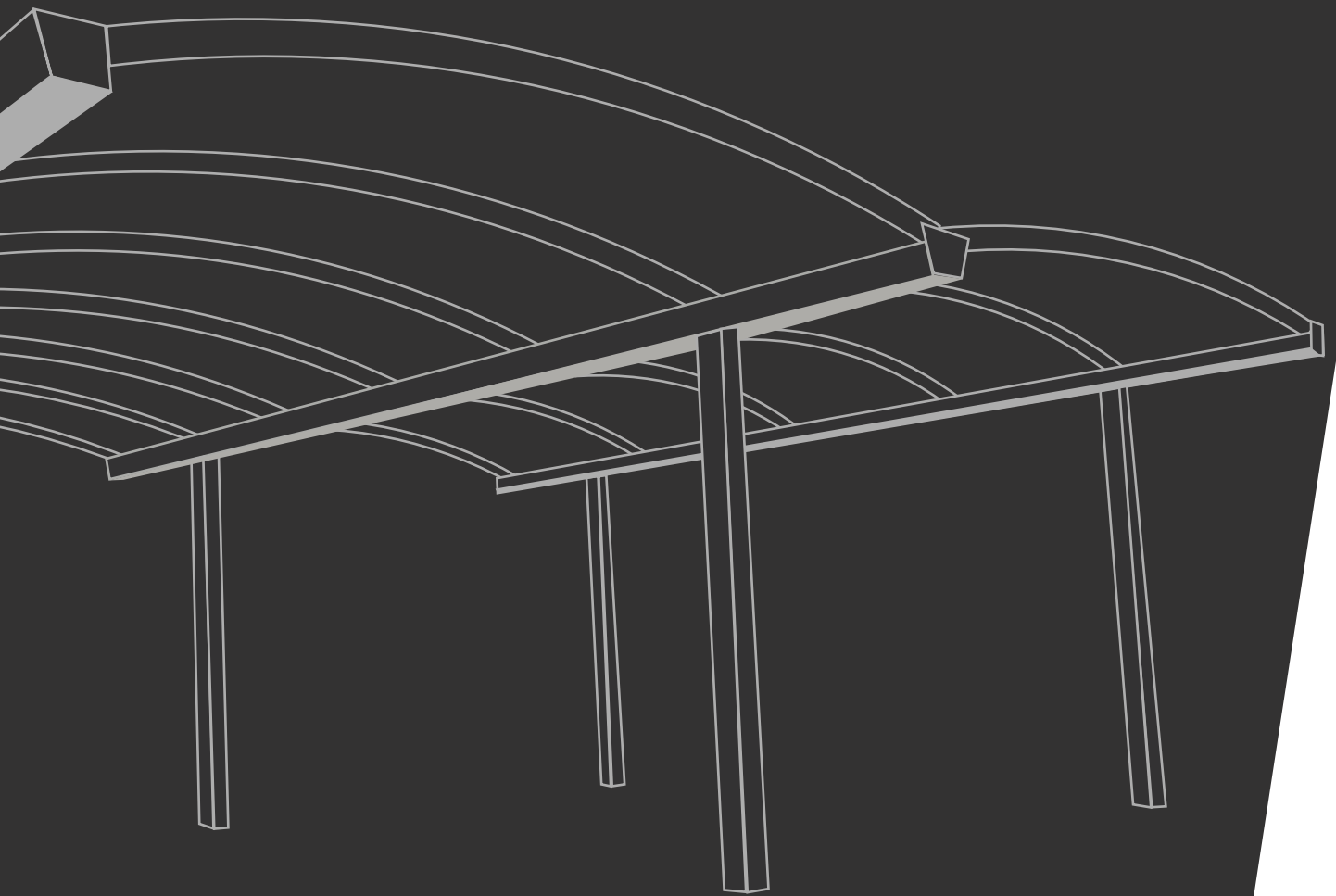


 WeatherSpan®



**Free Standing  
Arched Canopy**

# WeatherSpan® Free Standing Arched Canopy

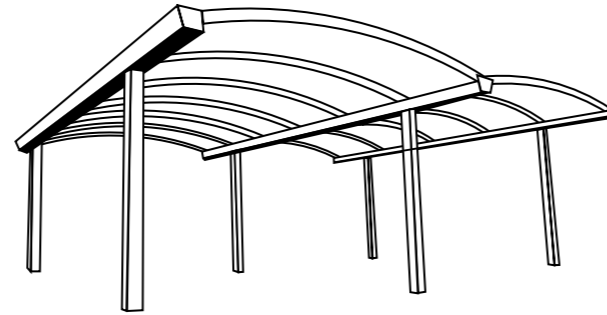
The WeatherSpan® Free-standing Arched Roof Canopy enables protection from all weather types for people, vehicles and other equipment. Manufactured in a range of standard sizes, the system can be joined together to form unlimited configurations.

## Features and Benefits

- Lightweight but strong
- Integral drainage - no unsightly plastic gutters or downpipes.
- Constructed of 100% non-corrosive material.

## Size Parameters:

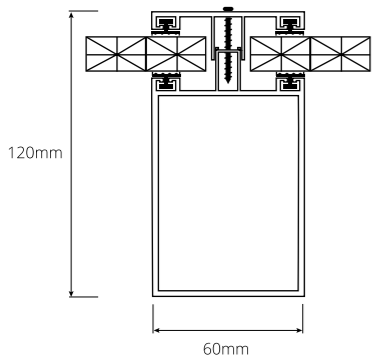
- Single: 3.22m width x 5m, 6m, 7m, 8m, 9m or 10m length
- Double: 6.33m width x 5m, 6m, 7m, 8m, 9m or 10m length\*



\* Feathered image; double system

## Roof Beams

Extruded aluminium roof beams spaced max 1m apart. Capping profile clamps polycarbonate roof sheets into place.



## Layout Options

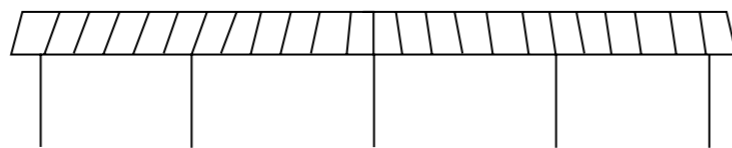
Structures can be joined together in both width and length to create a variety of sizes configurations.

Stand-alone (double)

Side-by-side

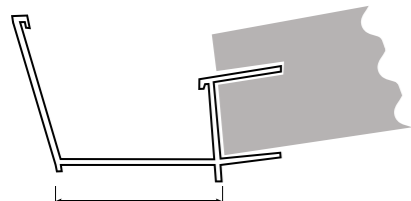


Back to back



## Gutter Profile

Standard profile



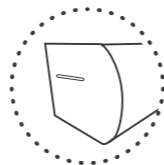
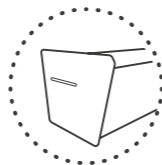
## Fascia Options

Choice of fascia styles. Fascia clips on to front of gutter profile.

Classic

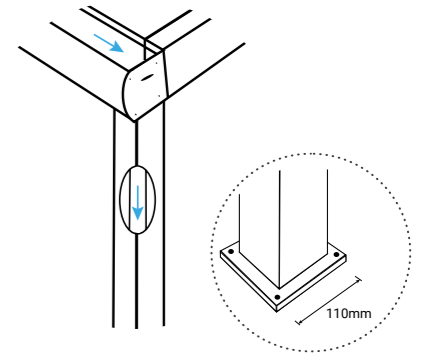
Square

Round



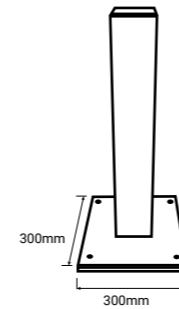
## Integral Drainage

Gutter concealed behind fascia; downpipes housed inside support posts. The downpipe can exit the post at any height (e.g. to connect to water butt) or at ground level. Alternatively it can be connected to existing sub-terrain drainage network.



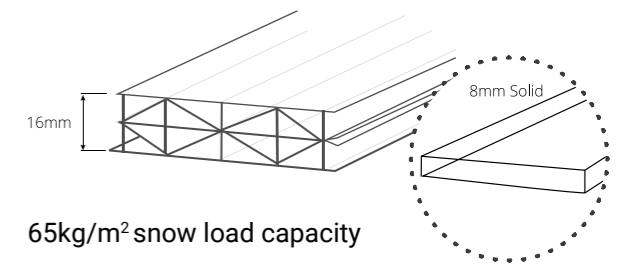
## Foundations

Galvanised steel anchor plate with integral support leg bolted to concrete foundation. Canopy posts located over support leg.



## Polycarbonate Roofing Options

16mm triple wall polycarbonate: clear or opal.  
8mm solid polycarbonate: clear.

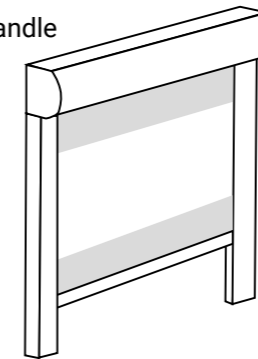


## Blinds

Heavy duty external roller blinds with LightLock® fabric retention mechanism to retain fabric in side channels.

Choice of shading and water proof fabrics available including clear PVC for maximum visibility and light.

Choice of manual crank handle or motorised operation.

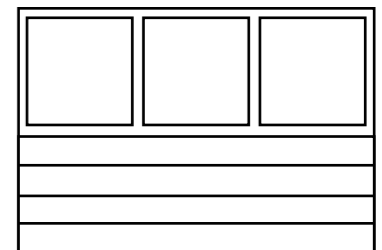


## Solid Infill Panels

Aluminium wall: 150 x 25mm extruded aluminium boards slot together inside end fixed U – channels to create a screen for privacy and protection from the weather. Max recommended span between vertical posts is 4m.

Polycarbonate: 16mm triple wall or 8mm solid polycarbonate sheets housed within aluminium profiles.

A combination of aluminium wall and polycarbonate is also possible.



## Lights

12v LED lights can be mounted within roof beams. All wiring concealed inside roof beams and wall plate



#### Basic Specification wording

WeatherSpan® aluminium Free Standing Arched Roof Canopy with integral water drainage system. Size: length x projection (mm). Roof sheets to be [8mm solid] [16mm triple wall] polycarbonate.

Gutter fascia to be [square] [round] [classic]. Rain water downpipes integral within support posts with outlet [above ground] [below ground for connection to existing sub terrain drainage pipework]. Support posts secured to galvanised steel anchor plate bolted to concrete pad stones below ground. Aluminium frame to be powdercoated to RAL [9001 White] [9016 Cream] [7016M Anthracite] [other RAL colour].

#### Maintenance

Annual cleaning of roof and frame with brush and clean water is recommended. Gutters should be cleaned at least twice a year.

#### Life expectancy & warranty

WeatherSpan® canopies have a life expectancy of at least 20 years. The canopy carries a 10 year warranty.