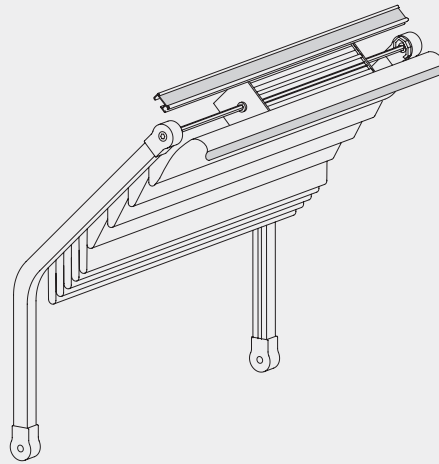


# Motorised Wintergarden System

## Silent Gliss® 2195



### Product Information

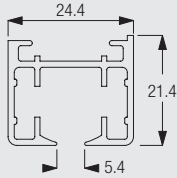
- Electrically operated system for domestic or contract use.
- Pleasing Roman blind effect with Silent Gliss technical or decorative fabrics or customers' own material.
- Blinds can be single, double or triple operation from one motor to correspond to window bays.
- Horizontal, sloping, bent and arched applications.
- Can be operated via fixed switch or radio remote control.
- Side guide profile standard colours: silver, white, bronze, gold and black.
- Can be operated by fixed switch or combined with Radio Remote Control System Silent Gliss 9940/0450.



2195

## Profile, Bending and Specification Information

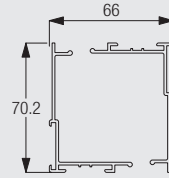
### Side Guide Profile



2191



### Profile 2151 for motor cover



2151



Specification Information - download from [www.silentgliss.co.uk](http://www.silentgliss.co.uk) (password required).

2195 electrically operated Wintergarden system ready assembled with motor enclosed headbox 2151 complete with drive shafts, side guide channels and cross rods for blinds. Side guide channels to be fixed at 80-100cm centres and headbox to be fixed with 3004 clamps. .... off.....wide x ..... drop (girth) guide channels, side channels each bent .....times with cross rods at .....cm intervals.

## System Dimensions



3m (single)  
6m (double)  
6m (triple)



6m (all systems)



25kg (all systems)



18sqm (single)  
30sqm (double)  
36sqm (triple)

### Maximum size and weight chart

2195		kg max.	A	B	2195		kg max.	A	B
		18	3 m	6 m			18	3 m	6 m
		18	6 m	6 m			18	6 m	6 m
		18	6 m	5 m			18	6 m	6 m
<p>△ max. 45°</p>		25	3 m	6 m			18	3 m	6 m
		25	6 m	6 m			18	6 m	5 m
		25	6 m	6 m			18	6 m	5 m
		25	3 m	6 m			10	3 m	4 m
		25	6 m	6 m			10	6 m	4 m
		25	6 m	6 m			10	6 m	3 m

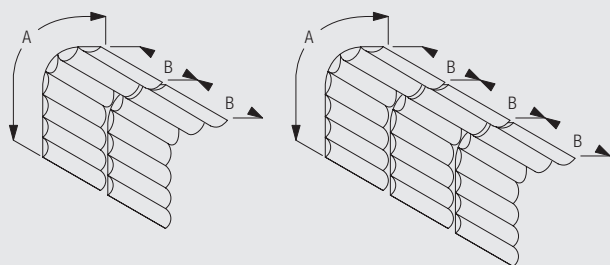
Sloped versions: max. inclination 45°

The system dimensions depend on the number of connected systems, the application and the total fabric weight (including cross bars: 2579 - 0.146kg per m, 2248 - 0.32kg per m). Systems over 2.5m must use 2248 heavy duty cross rod. In double or treble systems where one of the systems is over 2.5m, then all covers must use 2248 cross rod.

When a full arch the system must be centre opening.

## System Options

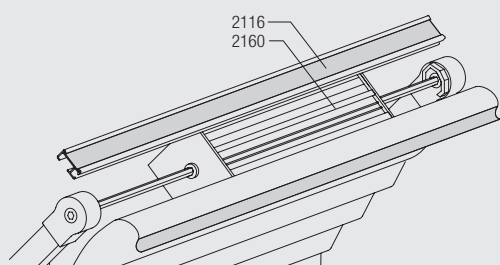
### Connected systems



Maximum of three bays can be connected to one system. The maximum system sizes are indicated in the chart under system dimensions.

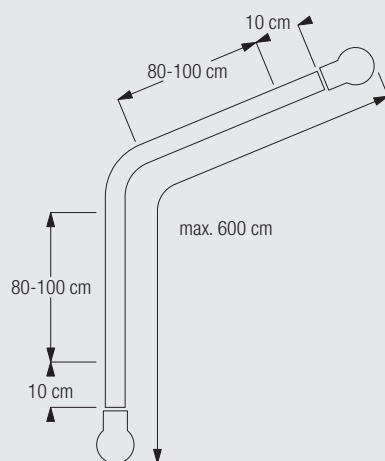
Please note that the sections can be asymmetrical but a bay can never exceed a total width of 3m.

### Motor cassette 2151 and Velcro profile 2116



## Fitting Information

### Bracket positioning

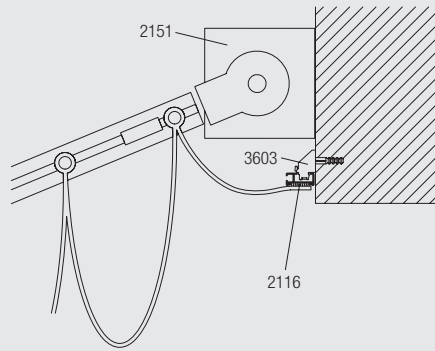


Please fix the last bracket as close as possible (max. 10cm) to the guide return.



2195

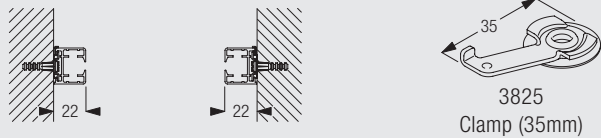
## Fixing the end of the fabric



Fixing of fabric to Velcro profile 2116

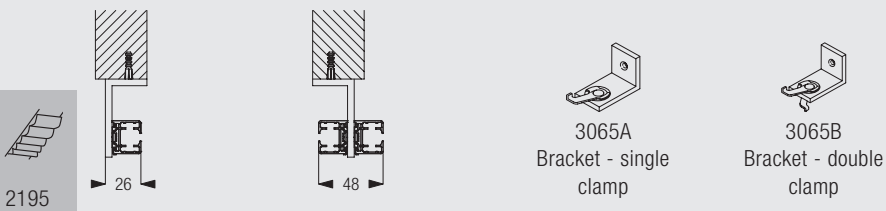
## Fitting Options

### Inside reveal fix with clamp 3825



3825  
Clamp (35mm)

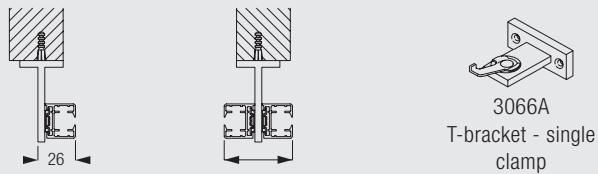
### Outside reveal fix with clamp 3065a and 3065b (double system)



3065A  
Bracket - single  
clamp

3065B  
Bracket - double  
clamp

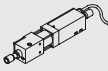
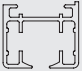

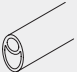
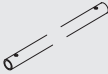

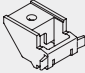


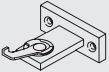
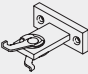
### Outside reveal fix with clamp 3066a



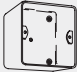

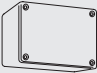
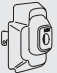

3066A  
T-bracket - single  
clamp

## Standard Accessories

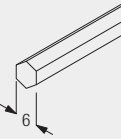
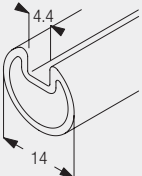
0766	In-line connector (complete/no lead)		2111	Hexagonal bar	
2116	Velcro profile		2145	Glider	
2151	Profile		2156	Drive shaft	

2160	Motor		2191	Profile	
2242	Connector		2248	Heavy duty cross rod	
2759	Crossrod		3004	Clamp	
3603	Top fix bracket		3825	Clamp (35mm)	
3065A	Bracket - single clamp		3066A	T-bracket - single clamp	
3066B	T-bracket - double clamp				

### Optional Accessories

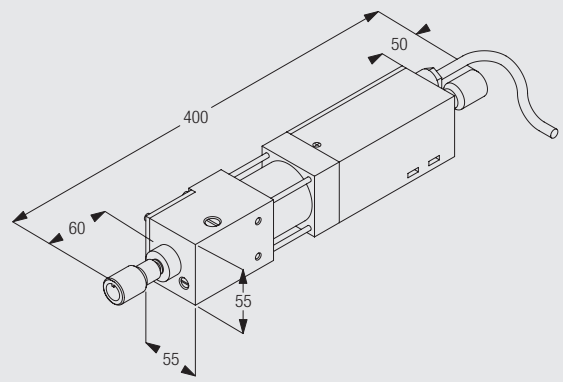
0578	Pattress box		0615	Latching switch inc. pattress box	
5736	Relay socket		5741	Klik plug	
5742	Klik socket				

### Useful Measurements

2111	Hexagonal bar		2156	Drive shaft	
------	---------------	---	------	-------------	---

### Motors and Controls

#### Motor Silent Gliss 2160 - Single Bay



- Torque: 6Nm
- Voltage: 230V/115V
- Frequency: 50Hz/60Hz
- Power: 150W/145W
- Current: 0.7A/1.4A
- Speed: 23rpm/26rpm
- Thermal overload protection
- CEE Standard
- Mechanical end stop
- Weight: 2kg

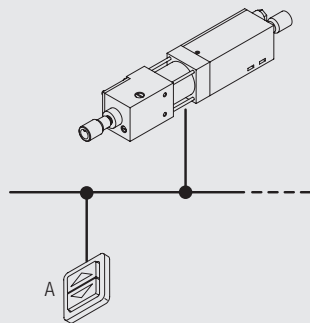
## Motor Silent Gliss 2160 - Multiple Bays

- Note: Drawing as per 2160 above except that overall length is 375mm (instead of 400mm)
- Torque: 10Nm
- Voltage: 230V
- Frequency: 50Hz
- Power: 120W
- Current: 0.53A
- Speed: 26rpm
- Thermal overload protection
- CEE Standard
- Mechanical end stop
- Weight: 1.8kg

The Silent Gliss 2160 motor is an interference-free motor, designed to offer top performance in regard to strength and reliability. The entire motor is integrated into the profile cover.

### Operating Methods - Single and Multiple Bays

#### Operation via fixed switch (single system)



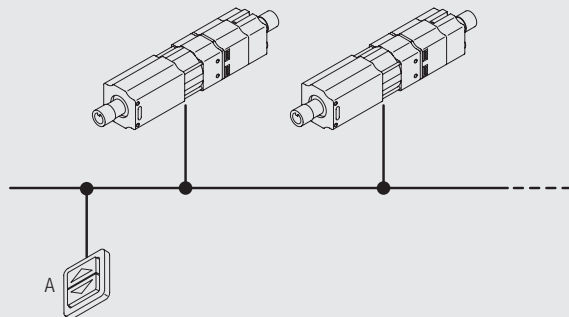
A: 230V/115V

All cabling between switch and motor is to be 3 core + earth



2195

#### Operation via fixed switch (multiple systems)

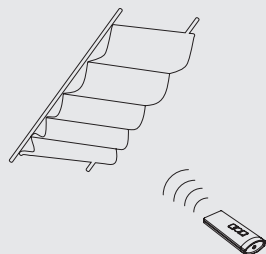


A: 230V/115V

R: Relay

All cabling between switch and motor is to be 3 core + earth

#### Operation with radio controls systems 9940/0450



System can be combined with Radio Remote Control Systems Silent Gliss 9940/0450. For further details, please refer to catalogue section "Motors & Controls".