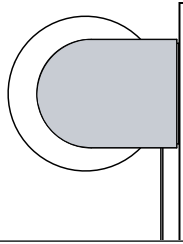


Standard snap-on end cap

Provide a clean look for a system installed without fascia or top box. Available in white.

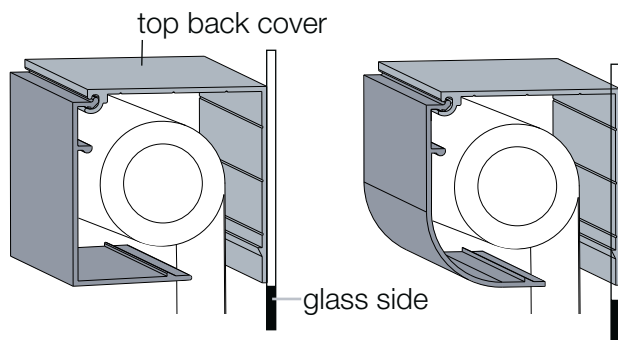


Fascia

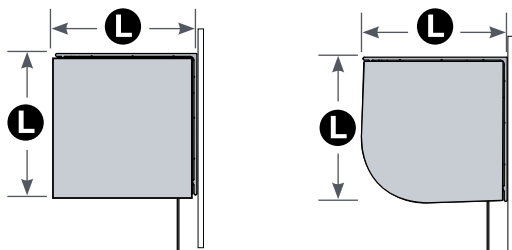
roller 20 can be installed with a top/back cover and fascia for a clean, minimal look. Square and curved fascia and pockets are available in white, black, bronze, and anodised aluminium.

Square fascia

Round fascia

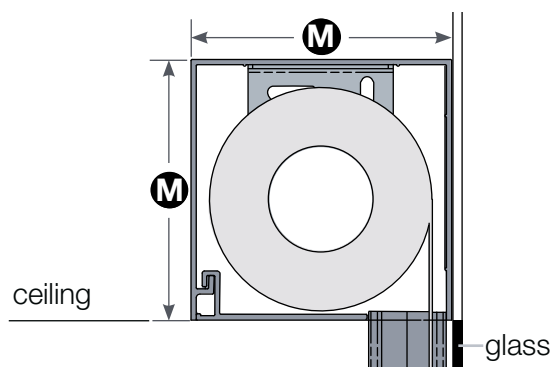


Fascia end caps



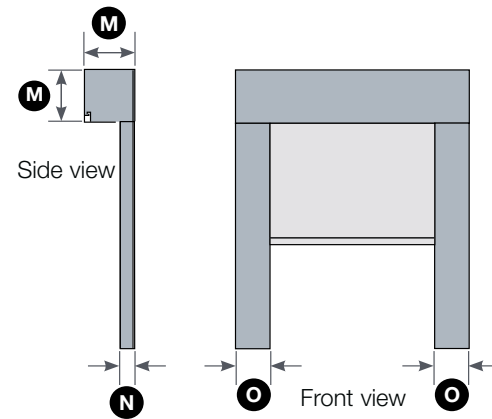
Lutron-provided pocket dimensions

roller 20 will never require more than 89 mm height x 89 mm (3.5 in. x 3.5 in.) depth for installation.



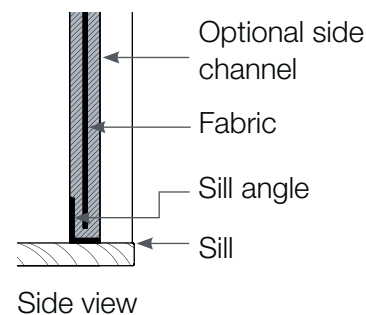
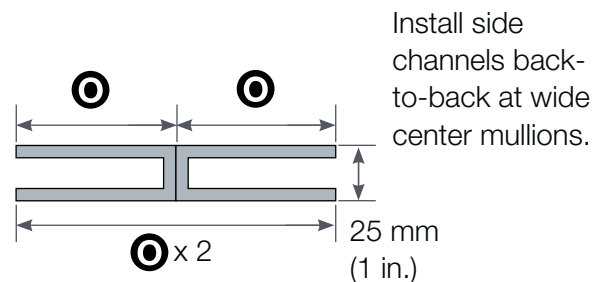
Blackout configuration

Lutron® offers side channels in a width of 64 or 89 mm (2.5 in. or 3.5 in.) to facilitate blackout conditions.



Dimensions

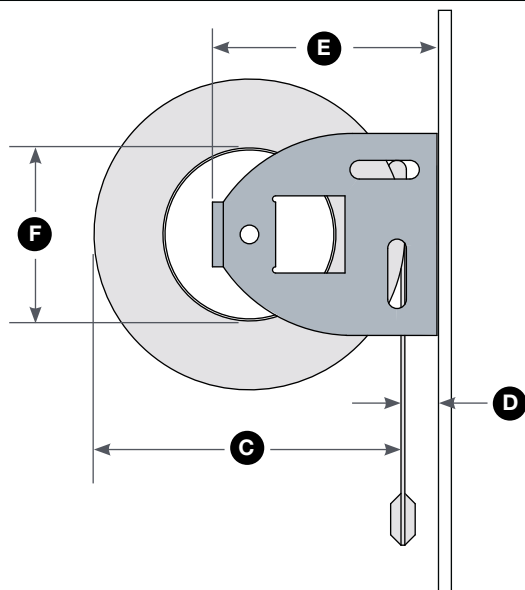
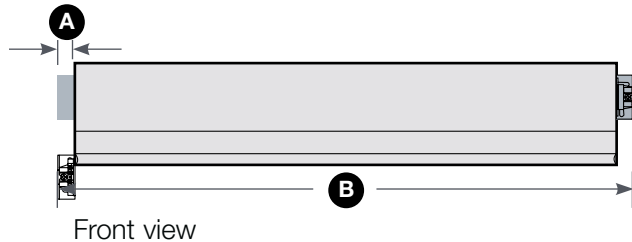
- L** 70 mm (2.75 in.)
- M** 89 mm (3.5 in.)
- N** 25 mm (1.0 in.)
- O** 64 mm (2.5 in.)
89 mm (3.5 in.)



The sill angle completes the blackout by stopping light leaks below the blind.

System dimensions

The roller 64 system utilises a 42 mm (1.67 in.) roller tube to operate up to 5.95 sq. m (64 sq. ft.) of fabric.*

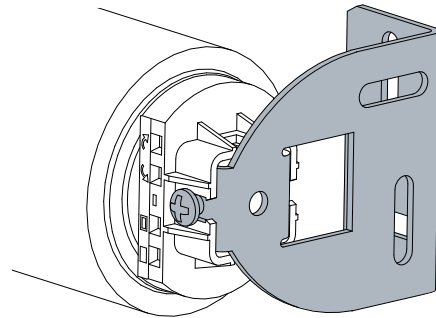


Dimensions

- A** 19 mm (0.75 in.) symmetrical, minimum
- B** 470 mm (18.5 in.) minimum
- C** 76 mm (3.0 in.) maximum
- D** 7 mm (0.26 in.) minimum
- E** 55 mm (2.17 in.)
- F** 42 mm (1.67 in.)

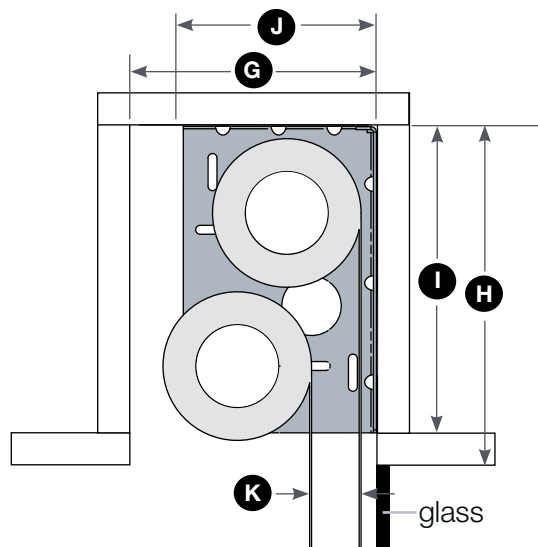
Universal bracket design

- One-piece bracket for simple installation
 - Same bracket for left and right side of roller tube
 - Same bracket for ceiling, wall, and jamb mount
- Roller tube installs with simple, spring-loaded design



Dual-mount roller system

Install two fabric panels over the same window with this compact bracket system.



Dimensions

- G** 152 mm (6.0 in.)
- H** 178 mm (7.0 in.)
- I** 159 mm (6.25 in.)
- J** 99 mm (3.9 in.)

* Maximum allowable blind size may vary based on fabric selection. Contact customer service or use SCT for actual blind dimensions based on fabric type.